

Misting Fan Owner's Manual

Ventilador con Nebulizador de Usuario
Brumiventilateur Manual d'emploi

Model / Modelo / Modèle:
FM-68, FM-68W, FM-88W

(115V~, 60Hz)

Read and save these instructions before use
Lea y guarde estas instrucciones
Lisez et gadez ces instructions



Intertek

www.xpower.com | 1-(855)-855-8868 | info@xpower.com

Index: NA-1-A36
Edition: 3.0.Final

Safety Instructions

WARNING - READ AND SAVE THIS INSTRUCTIONS BEFORE USING THIS PRODUCT.

The user of electrical products may create hazards that include, but are not limited to injury, fire, electrical shock. Failure to follow these instructions may damage and/or impair its operation and void the warranty.

- Before operating, remove all packaging material and check for any damage that may have occurred during shipping or any missing items.
- Check power supply to ensure it matches the appliance's specification.
- **Do not** operate any fan with a damaged cord or plug. Discard fan or return it to an authorized service facility for examination and/or repair.
- Use only on GFCI protected receptacles. Please contact a qualified electrician for verification and / or installation of a GFCI receptacle if necessary.
- **Do not** run cord under carpeting. **Do not** cover cord with throw rugs, runners, or similar coverings. **Do not** route cord under furniture or appliances. Arrange cord away from traffic area and where it will not be tripped over.
- To reduce the risk of fire or electric shock, **DO NOT** use this fan with any solid-state speed control device.
- This fan is an outdoor product and is **Not** intended for indoor use. **Do not** leave the fan unattended when it is plugged in.
- **Do not** touch this appliance or the plug with wet hands or while standing in water.
- **Do not** operate the appliance in any pooled water.
- **Do not** use the product in areas where gasoline, paint or other flammable goods and objects are used or stored.
- **Do not** insert or allow objects to enter any ventilation or exhaust opening as this may damage the appliance and void the warranty.
- **Do not** cover the air inlet or outlet on the appliance.
- **Do not** direct the air flow at human faces or bodies.
- **Do not** allow children to play or with this appliance.
- **Do not** move or carry this appliance while the unit is operating.
- Always place this appliance on a smooth and level surface for safe operation.
- **Automatically Operated Device** – To reduce the risk of injury, disconnect from power supply before servicing.
- Remove the power cord from the electrical receptacle by grasping and pulling on the power cord plug-end only, **do not** pull the cord directly.
- **Do not** attempt to repair or adjust any electrical or mechanical functions of this appliance, as this may cause danger and void the warranty.
- This product employs overload protection (fuse). A blown fuse indicates an overload or short-circuit situation. If the fuse blows, unplug the product from the outlet. Replace the fuse as per the user servicing instructions (follow product marking for proper fuse rating) and check the product. If the replacement fuse blows, a short-circuit may be present and the product should be discarded or returned to an authorized service facility for examination and /or repair.
- If the appliance is damaged or it malfunctions, **DO NOT** continue to use it. Unplug the product from the electrical outlet. Refer to troubleshooting guide or contact XPOWER.
- Store in a dry area, away from exposure to sunlight, extreme temperature and humidity, or other extreme environments, when not in use.
- An electronic instruction manual can be obtained through website www.xpower.com.

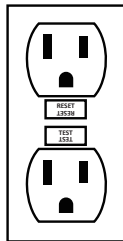
Grounding Instructions

This appliance must be grounded. In the event of malfunction or breakdown, grounding provides a path of least resistance for electric current to reduce the risk of electric shock. This appliance is equipped with a cord having an equipment-grounding conductor and a grounding plug. The plug must be plugged into an appropriate outlet that is properly installed and grounded in accordance with all local codes and ordinances.

A qualified electrician should be consulted if there is any doubt as to whether an outlet box is properly grounded.

DANGER: Improper connection of the equipment-grounding conductor can result in a risk of electric shock. The conductor with insulation having an outer surface that is green with or without yellow stripes is the equipment-grounding conductor. When repair or replacement of the cord or plug is required, do not connect the grounding wire to either flat blade pin. Check with a qualified electrician or serviceman if the grounding instructions are not completely understood, or if in doubt as to whether the appliance is properly grounded. Do not modify the plug provided with the appliance – if it will not fit the outlet, have a proper outlet installed by a qualified electrician.

This appliance is for use on a nominal 115V circuit (NEMA 5-15R), and has a grounding plug (NEMA 5-15P) as illustrated below. Make sure that the appliance is connected to an outlet having the same configuration as the plug. No adapter should be used with this appliance.



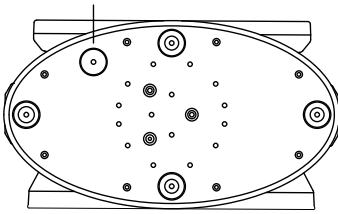
NEMA 5-15R



NEMA 5-15P

Special Instructions of Anti-Topping Safety Switch (For Model FM-68 only)

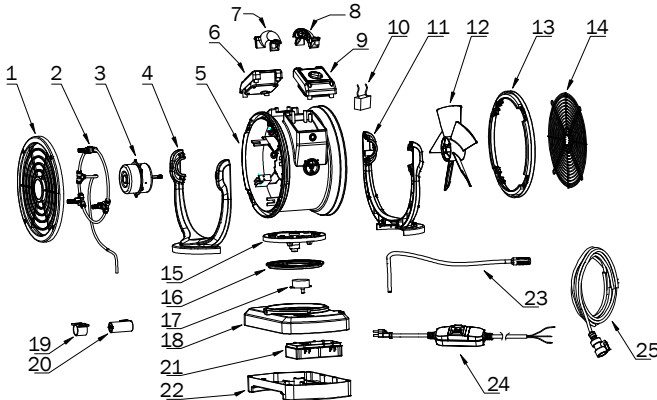
Anti-topping Safety Switch



Bottom Base Cover

- The Anti-topping Safety Switch is designed to protect the machine from functioning when the machine topples from a level surface.
- Machine continuously working at a toppled position may lead to safety concern or damage to the machine.
- **WARNING: DO NOT** keep the Anti-Topping Safety Switch on manually, for example, by tape. Always keep the switch free of function.

Parts Description

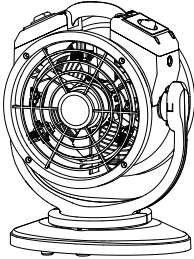


- | | | |
|---------------------------------------|------------------------|---|
| (1) Front Grille Cover | Assembly | (19) Water Pump Shockproof Pad* |
| (2) Atomization Assembly | (10) Capacitor | (20) Water Pump* |
| (3) Motor | (11) Rear Rack | (21) Water Pump Circuit Board Assembly* |
| (4) Front Rack | (12) Fan | (22) Bottom Base Cover |
| (5) Housing | (13) Rear End Cover | (23) Pumping Hose* |
| (6) Oscillation Switch Panel Assembly | (14) Rear Grille Cover | (24) Power Cord |
| (7) Housing Handle Front | (15) Rack Base | (25) Water Hose** |
| (8) Housing Handle Rear | (16) Plastic Washer | |
| (9) Speed Switch Panel | (17) Oscillation Motor | |
| | (18) Top Base Cover | |

* For model FM-68W and FM-88W only.

** For model FM-68 only.

Items Included



• Misting Fan x 1



• Spare Misting Nozzle x 1



• Nozzle Cleaner x 1



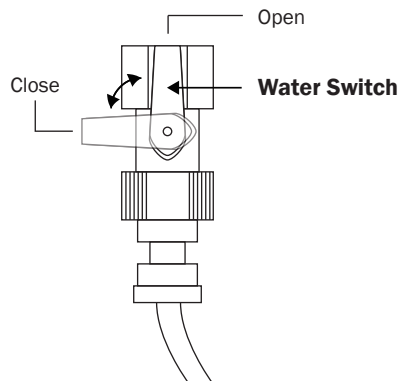
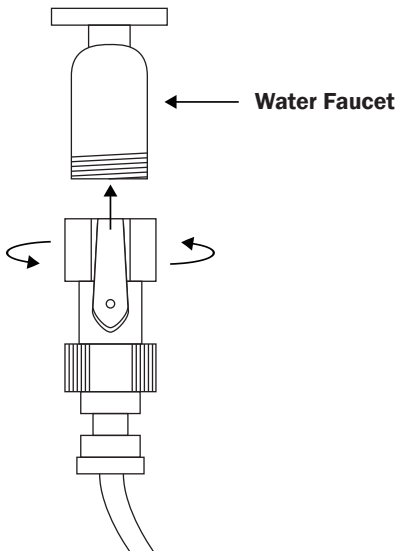
• Owner's Manual x 1

Installation and Operation Guide

Water Source Connection

For Model FM-68:

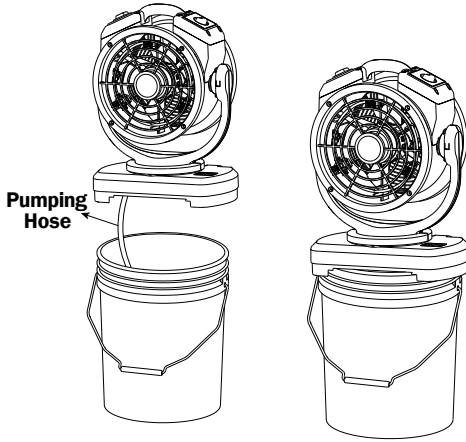
- Screw the water faucet adapter onto the water faucet.
- Turn the switch to desired position to open or close the valve.
- Turn on the water faucet.



Water Source Connection

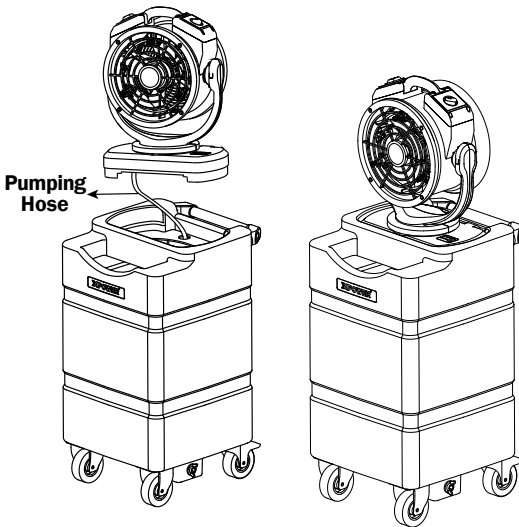
For Model FM-68W and FM-88W:

- The misting fan must connect to a container with water as a source of water.
- You can choose your own container or use XPOWER Water Tank for fast and convenient connection.



Connect to a Bucket

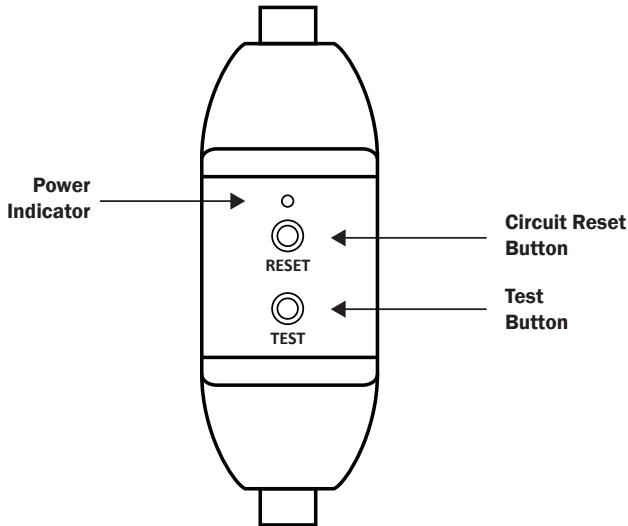
- Put the end of the pumping hose into a bucket.
- Put the unit onto the bucket.
- The bucket must be in an upper diameter less than 11.8 inches.



Connect to WT Series

- Put the end of the pumping hose through a small hole into the WT Series.
- Put the into the slot of the WT Series.

GFCI Protected Power Cord



- The power cord of the misting fan is protected by GFCI.
- If the misting fan stops working, press the **RESET BUTTON** to reset the circuit.

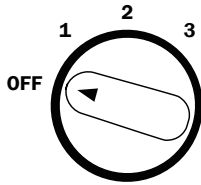
For GFCI (Ground Fault Circuit Interrupter) protected power cord receptacle:

- Once a ground fault occurs, the GFCI will immediately interrupt the power connection to this appliance.
- A ground fault is an inadvertent contact between an energized conductor (for example, a human being) and ground or equipment frame.

WARNING: Risk of electric shock. You should test the GFCI before each use.

- Press the Test Button, the Power Indicator should go off. Then press GFCI Reset Button, the Power Indicator should illuminate and Test Button should be reset to unpressed position.
- Do not use if the test fails.

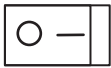
Fan Speed Switch



- Turn to **“OFF”** position to switch the misting fan OFF. Turn to any speed position to switch the misting fan ON.
- Turn clockwise to set the desired fan speed. There are 3 fan speeds from: **1, 2, 3**. **“1”** is the lowest speed and **“3”** is the highest speed.

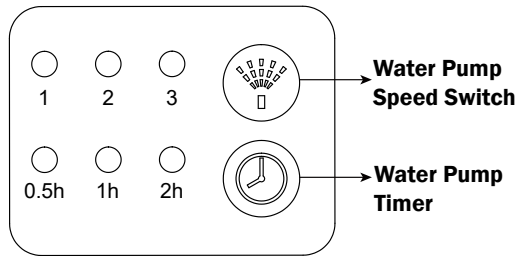
Oscillation Switch

Oscillate



- Switch to **“I”** setting to let the machine oscillate.
- Switch to **“O”** setting to let the machine stay still.

Water Pump Control Panel (For Model FM-68W / FM-88W Only)



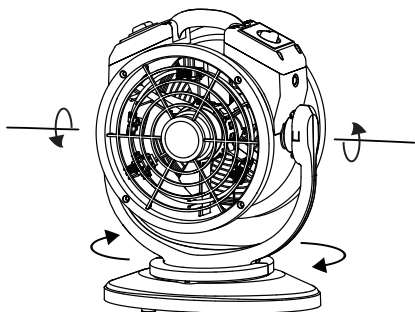
Water Pump Speed Switch

- Press to switch the speed of the water pump.
- There are 3 water pump speeds from: **1, 2, 3**. **“1”** is the lowest speed and **“3”** is the highest speed.

Water Pump Timer

- Press to set the timer for an automatic stop of the water pump. The timer controls the water pump only.
- There are three timers from: **0.5 h, 1 h, 2 h** for model FM-68W / **1 h, 2 h, 4 h** for model FM-88W.
- However, if the timer is not set, the water pump will stop working after 4 hour for model FM-68W / 6 hour for model FM-88W.
- When the water pump stops working, press the button to turn on the water pump or set the timer again.

Multiple Operating Positions



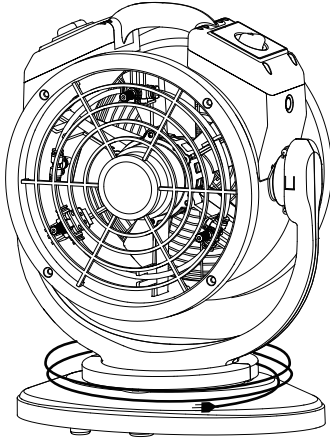
- The misting fan can operate in different positions, directing the airflow and mist to desired areas.

User Maintenance Instructions

Frequent maintenance is recommended on this appliance. Failure to follow the maintenance instructions may cause failure of the appliance and void the warranty.

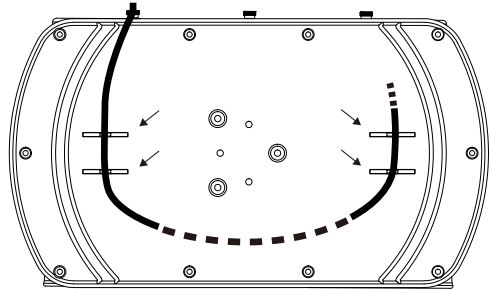
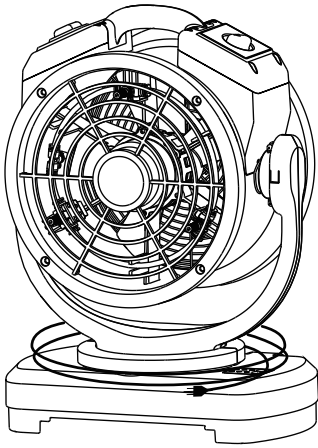
- When not in use, unplug and store the appliance in a dry and cool indoor place. Make sure it's out of reach of children.
- Before performing any maintenance or cleaning, always disconnect the misting fan from its power source.
- Use a damp cloth to wipe the surface of the housing. Do not clean the unit with water directly.
- Check if the grille covers are clean. Remove dirt or any other objects that could block the air inlet and air outlet.

Organizing the Cord and Water Hose



For Model FM-68:

- Wrap the water hose first and then the power cord around the rack base after use.



For Model FM-68W/FM-88W:

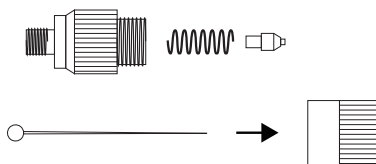
- Wrap the power cord around the rack base after use.
- Organize the pumping hose onto the bottom of the rack base. Use convenient clip on the housing to secure in place.

Atomization Assembly Maintenance

When not in use, unscrew the misting nozzles, store the nozzles in a dry indoor place out of reach of children. The nozzles must be dried completely before stored.

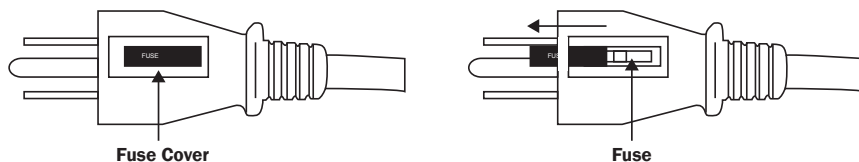


- Disassemble the nozzles (See illustration above) and unscrew the water faucet adapter.
- Soak the parts with soapy water or mild (or alkaline) detergent for several hours. **DO NOT** use vinegar or other acidic detergent.



- Optionally, use the nozzle cleaner to clean the nozzle hole from the inner surface.
- When finished, dry the surfaces completely and reassemble the parts.

Replacing the Fuse



- Grasp plug and remove from the receptacle or other outlet device. Do not unplug by pulling on cord.
- Slide open the fuse cover on top of attachment plug. Remove the fuse carefully.
- To reduce risk of fire, replace fuse only with 5A/125V fuse.
Slide close the fuse cover on top of the attachment plug.

To reduce risk of fire, **DO NOT** replace the attached plug, which contains a safety device (fuse), with any other plug. Discard product if the attachment plug is damaged.

Troubleshooting Guide

PROBLEM	POSSIBLE CAUSE	SOLUTION
Misting Fan does not start	No electricity.	Check for power supply.
	The power cord is not properly plugged in.	Remove and reconnect the power cord.
	The machine is working under an extreme temperature.	Turn off the machine and unplug it. Let the machine cool down to normal temperature.
	The ground fault protection on the GFCI is triggered.	Check and reset the GFCI on the plug.
	The anti-toppling safety switch is triggered.	Check and reset the anti-toppling safety switch.
Unit runs but the speed is abnormal	Air inlet or air outlet is blocked.	Remove blockage.
Misting function is abnormal	The pumping / water hose is blocked.	Remove blockage.
	The atomization assembly is blocked.	Remove blockage. (See Page 11: Atomization Assembly Maintenance)
	The water switch is off.	Check for water supply.

If troubleshooting does not resolve your problem, please contact XPOWER or other parties authorized by XPOWER for further instructions.

Technical Specification

Machine Specification

MODEL NUMBER	FM-68	FM-68W	FM-88W
Voltage / Frequency	115 V~60 Hz		
Amperage	0.55 A	0.65 A	1.0 A
Rated Airflow	1000 CFM		1700 CFM
Speed Control	3 Speeds		
Cord Length	10 ft. / 3.0 m		
Unit Dimension (L) x (W) x (H)	14.8 x 8.3 x 19.0 in. / 37.5 x 21.0 x 48.3 cm	14.8 x 8.5 x 20.1 in. / 37.5 x 21.7 x 51.1 cm	17.1 x 9.6 x 23.5 in. / 43.5 x 24.5 x 59.8 cm
Unit Weight	12.8 lbs. / 5.8 kg	13.6 lbs. / 6.15 kg	17.0 lbs. / 7.73 kg
Safety Certification	ETL/C-ETL		

If your product(s) is not listed above, please visit www.xpower.com for more information.

Atomization Specification

	Misting Nozzle	Max Mist Volume	Max Throw Distance
FM-68	0.3 mm (Marked 3010)	5.9 L / h	29.5 ft. / 9.0 m
FM-68W	0.3 mm (Marked 3010)	7.5 L / h	45.9 ft. / 14.0 m
FM-88W	0.3 mm (Marked 3010)	9.5 L / h	52.5 ft. / 16.0 m

XPOWER Limited Warranty (USA)

1 YEAR LIMITED WARRANTY

XPOWER-branded products purchased in the U.S. from authorized distributors include a 1-year limited warranty. Contact XPOWER to confirm warranty information about your product(s).

This limited warranty covers defects in materials and workmanship in your XPOWER-branded products, purchased in the **U.S. ONLY**. Local warranty policy (if any) in your country will cover products purchased outside the U.S.

IMPORTANT:

- (1) Please finish the online warranty registration before usage. Visit <https://xpower.com/warranty-registration/>.
- (2) This Limited Warranty applies with its own timeliness. Contact XPOWER or visit www.xpower.com for more information.

Items mentioned but not limited to below are not covered by warranty:

- (1) Power cord, filters or any other components considered as a “consumable parts” by XPOWER.
- (2) Normal wear and tear.
- (3) Problems that result, directly or indirectly, at XPOWER’s sole discretion, from:
 - (3.1) External causes such as accident, abuse, misuse or problems with electrical power supply.
 - (3.2) Disassembling, servicing or modification not authorized by XPOWER.
 - (3.3) Usage that is not accordant with product instructions stated in Owner’s Manual.
 - (3.4) Failure to follow the product instructions or lack of necessary maintenance stated in Owner’s Manual.

Before contacting XPOWER, please try one or more of the following:

- (1) Consult this Owner’s Manual and follow the instructions of troubleshooting guide.
- (2) Access www.xpower.com for more advice and information that could be helpful to address your problems.

If you need additional assistance from XPOWER, please:

- (1) Email info@xpower.com.
- (2) Call XPOWER U.S. Customer Service Department at **855-855-8868** or other numbers provided on www.xpower.com.
- (3) Visit XPOWER U.S. Head Office at **668 S. 6th Ave., City of Industry, CA 91746** or the most current address provided on www.xpower.com.

Please also have your original proof of purchase and the serial number(s) of your product(s) ready when you contact XPOWER.

If you are instructed to return the unit for service or replacement, please:

- (1) Request a RMA (Return-Merchandise-Authorization) number.
- (2) Use the original or an equivalent packaging, prepay shipping charges at your own expense to the address provided by XPOWER, with the RMA number on the shipping label or the packaging.
- (3) Include all the original parts and components.

XPOWER will inspect, assess and advise the repairs needed and applicable cost, if any. For products under warranty, we will pay to ship the repaired or replaced product(s) to you if you use an address within the Contiguous United States. Otherwise, we will ship the product(s) to you at your own expense.

Instrucciones de seguridad

ADVERTENCIA: LEA Y GUARDE ESTE MANUAL ANTES DE USAR ESTE PRODUCTO.

El usuario de productos eléctricos puede crear peligros que incluyen, pero no se limitan a, lesiones, incendios, descargas eléctricas. El incumplimiento de estas instrucciones puede dañar y/o perjudicar su funcionamiento y anular la garantía.

- Antes de operar, retire todo el material de embalaje y compruebe si hay algún daño que pudiera haber ocurrido durante el envío o cualquier artículo faltante.
- Revise la fuente de alimentación para asegurarse de que coincide con las especificaciones del aparato.
- **NO** utilice ningún ventilador con un cable o enchufe dañado. Deseche el ventilador o devuélvalo a un centro de servicio autorizado para su examen y/o reparación.
- Utilícelo únicamente en los tomacorrientes protegidos con interruptor de circuito de falla a tierra (GFCI). Póngase en contacto con un electricista calificado para la verificación y / o la instalación de un receptáculo GFCI si es necesario.
- **NO** coloque el cable debajo de la alfombra. **NO** cubra el cable con alfombras, corredores o revestimientos similares. **NO** enrute el cable debajo de muebles o aparatos. Coloque el cable alejado del área de tránsito o de paso y donde no se vaya a tropezar.
- Para reducir el riesgo de incendio o descarga eléctrica, **NO** utilice este ventilador con ningún aparato de control de velocidad de estado sólido.
- Este ventilador es un producto para exteriores y **NO** está diseñado para uso en interiores. **NO** deje el ventilador desatendido cuando esté enchufado.
- **NO** toque este aparato ni el enchufe con las manos mojadas o mientras esté parado en agua.
- **NO** utilice el aparato en agua estancada.
- **NO** utilice el producto en áreas donde se utilice o almacene gasolina, pintura u otros bienes y objetos inflamables.
- **NO** inserte ni permita que objetos entren en ninguna abertura de ventilación o escape, ya que podría dañar el aparato y anular la garantía.
- **NO** cubra la entrada o salida de aire del aparato.
- **NO** dirija el flujo de aire al rostro o cuerpo de personas.
- **NO** permita que los niños jueguen alrededor de este aparato.
- **NO** mueva ni transporte este aparato mientras la unidad esté funcionando.
- Coloque siempre este aparato sobre una superficie lisa y nivelada para un funcionamiento seguro.
- **APARATO DE FUNCIONAMIENTO AUTOMÁTICO** – Para reducir el riesgo de lesiones, desconecte la fuente de alimentación antes de realizar el mantenimiento.
- Retire el cable de alimentación del tomacorriente eléctrico agarrando y tirando solamente del extremo del enchufe del cable de alimentación, **NO** tire del cable directamente.
- **NO** intente reparar o ajustar cualquier función eléctrica o mecánica de este aparato,

ya que esto puede resultar peligroso y anular la garantía.

- Este producto emplea protección contra sobrecarga (fusible). Un fusible quemado indica una sobrecarga o una situación de cortocircuito. Si el fusible se quema, desenchufe el producto de la toma de corriente. Reemplace el fusible según las instrucciones de servicio para el usuario (siga las indicaciones del producto para conocer la clasificación adecuada de los fusibles) y verifique el producto. Si el fusible de reemplazo se quema, puede haber un cortocircuito y el producto debe desecharse o devolverse a un centro de servicio autorizado para su examen y / o reparación.
- Si el aparato está dañado o funciona mal, **NO** continúe su uso. Desconecte el producto de la toma eléctrica. Consulte la guía de solución de problemas o póngase en contacto con XPOWER.
- Cuando el aparato no se encuentre en uso, almacénelo en un área seca, lejos de la exposición a la luz solar, temperatura extrema y humedad, así como de otros ambientes extremos.
- Se puede obtener un manual de instrucciones electrónico a través del sitio web www.xpower.com.

Instrucciones de puesta a tierra

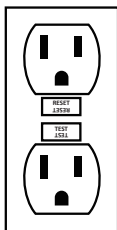
Este aparato debe estar conectado a tierra. En caso de mal funcionamiento o avería, la puesta a tierra proporciona una ruta de menor resistencia para la corriente eléctrica para reducir el riesgo de descarga eléctrica. Este aparato está equipado con un cable que tiene un conductor de conexión a tierra del equipo y un enchufe de conexión a tierra. El enchufe debe estar enchufado a un tomacorriente apropiado que esté correctamente instalado y conectado a tierra de acuerdo con todos los códigos y ordenanzas locales.

Se debe consultar a un electricista calificado si existe alguna duda sobre si una caja de distribución está correctamente conectada a tierra.

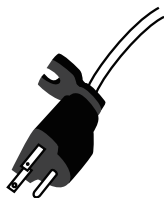
PELIGRO: La puesta incorrecta del conductor de puesta a tierra del equipo puede provocar un riesgo de descarga eléctrica. El conductor con aislamiento que tiene una superficie exterior que es verde con o sin rayas amarillas es el conductor de puesta a tierra del equipo. Cuando sea necesario reparar o reemplazar el cable o el enchufe, no conecte el cable de conexión a tierra a ninguno de los pasadores planos. Consulte con un electricista o técnico calificado si las instrucciones de puesta a tierra no se comprenden completamente, o si tiene dudas sobre si el electrodoméstico está conectado a tierra correctamente. No modifique el enchufe provisto con el aparato; si no encaja en el tomacorriente, haga que un electricista calificado instale un tomacorriente adecuado.

Este aparato se utiliza en un circuito nominal de 115V (NEMA 5-15R) y tiene un enchufe de puesta a tierra (NEMA 5-15P) como se ilustra a continuación. Asegúrese de que el electrodoméstico esté conectado a una toma de corriente que tenga la misma configuración que el enchufe. No se debe usar ningún adaptador con este dispositivo.

Instrucciones de puesta a tierra (Continuación)



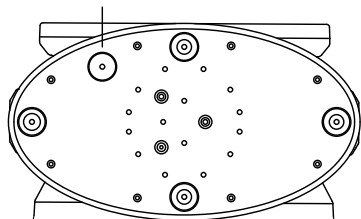
NEMA 5-15R



NEMA 5-15P

Instrucciones especiales del interruptor de seguridad anti-recargando (Para FM-68)

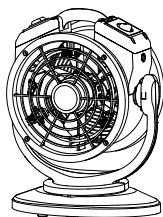
Interruptor de seguridad anti-recargando



Cubierta de base inferior

- El interruptor de seguridad anti-recargando está diseñado para evitar que la máquina funcione cuando se cae de una superficie nivelada.
- La máquina que trabaja continuamente en una posición volcada puede provocar problemas de seguridad o daños a la máquina.
- **ADVERTENCIA: NO** mantenga el interruptor de seguridad anti-recargando encendido manualmente, por ejemplo, con cinta. Mantenga siempre el interruptor libre de función.

Artículos incluidos



- Ventilador con Nebulizador x 1



- Boquilla de nebulización de repuesto x 1

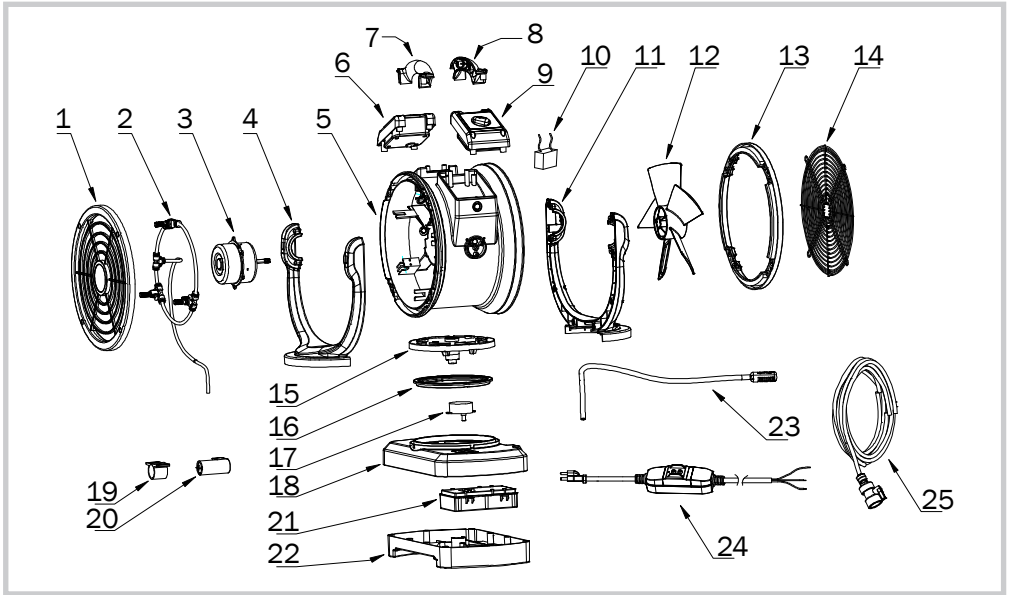


- Manual de usuario x 1



- Limpiador de boquillas x 1

Descripción de las piezas



- | | | |
|--|-------------------------------------|--|
| (1) Cubierta de la rejilla frontal | interruptor de velocidad | (19) Almohadilla a prueba de golpes para bomba de agua* |
| (2) Asamblea de atomización | (10) Capacitador | (20) Bomba de agua* |
| (3) Motor | (11) Soporte trasera | (21) Ensamblaje de la placa de circuito de la bomba de agua* |
| (4) Soporte Frontal | (12) Ventilador | (22) Cubierta de base inferior |
| (5) Carcasa | (13) Cubierta trasera | (23) Manguera de bomba* |
| (6) Asamblea de panel de interruptor de oscilación | (14) Cubierta de la rejilla trasera | (24) Cable de alimentación |
| (7) Manija Frontal | (15) Base de soporte | (25) Manguera de agua** |
| (8) Manija trasera | (16) Arandela de plastico | |
| (9) Asamblea de panel de | (17) Motor de oscilación | |
| | (18) Cubierta de base superior | |

* Solo para modelo FM-68W y FM-88W.

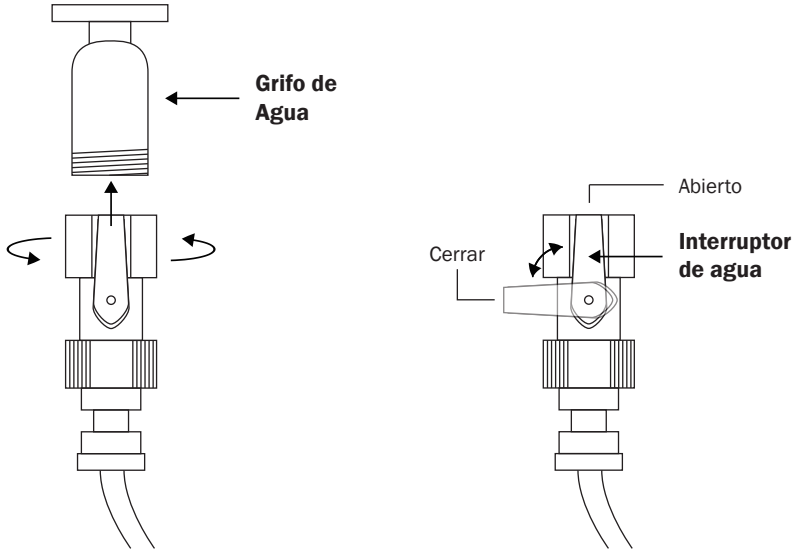
** Solo para modelo FM-68.

Manual de instalaciones y operaciones

Instale la manguera de agua

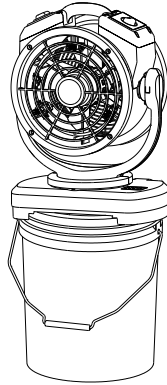
Para Modelo FM-68:

- Enrosque el adaptador del grifo de agua en el grifo de agua.
- Gire el interruptor de agua a la posición deseada para cerrar o abierto la válvula.
- Abra el grifo de agua para tener suministro de agua.



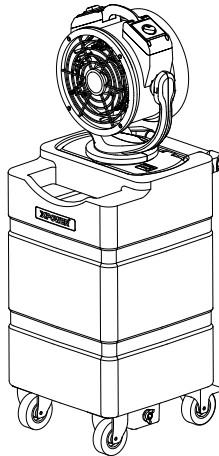
Para Modelo FM-68W y FM-88W:

- El ventilador de nebulización debe conectarse a un recipiente con agua como fuente de agua.
- Puede elegir su propio contenedor o usar el tanque de agua XPOWER para una conexión rápida y conveniente.



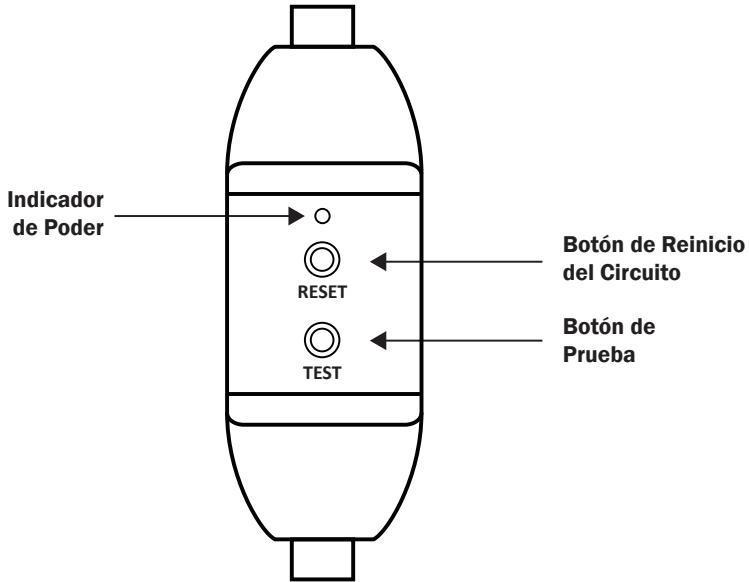
Conectar a un cubo

- Coloque el extremo de la manguera de bomba en un cubo.
- Coloque la unidad en el cubo.
- El cubo debe tener un diámetro superior de menos de 11,8 pulgadas.



Conectar a la serie WT

- Coloque el extremo de la manguera de bomba a través de un pequeño orificio en la serie WT.
- Coloque el en la ranura de la Serie WT.



- El cable de alimentación del ventilador con nebulizador está protegido por GFCI.
- Si el ventilador con nebulizador deja de funcionar, presione el botón de reinicio para reiniciar el circuito.

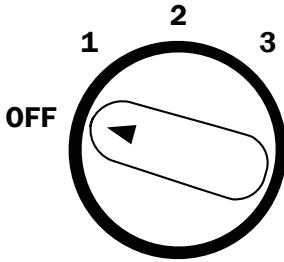
Para cable de alimentación protegido GFCI (Interrupor de circuito de falla a tierra):

- Una vez que ocurre una falla a tierra, el GFCI interrumpirá inmediatamente la conexión de alimentación al aparato. Consulte la Guía para Resolver Problemas.
- Una falla a tierra es un contacto involuntario entre un conductor energizado (por ejemplo, un ser humano) y el marco de tierra o equipo.

ADVERTENCIA: Riesgo de descarga eléctrica. Debe probar el GFCI antes de cada uso.

- Presione el botón de prueba y luego presione el botón de reinicio de GFCI, el botón de prueba debe restablecerse a la posición sin presión.
- No usar si la prueba falla.

Interruptor de velocidad del ventilador



- Gire a la posición “**OFF**” para apagar el ventilador con nebulizador de perfil bajo. Gire a cualquier posición de velocidad para encender el soplador de aire de perfil bajo.
- Gire en el sentido de las manecillas del reloj para ajustar la velocidad deseada del ventilador. El ventilador cuenta con 3 velocidades, siendo: **3, 2, 1**. “**1**” es la velocidad más baja y “**3**” es la velocidad más alta.

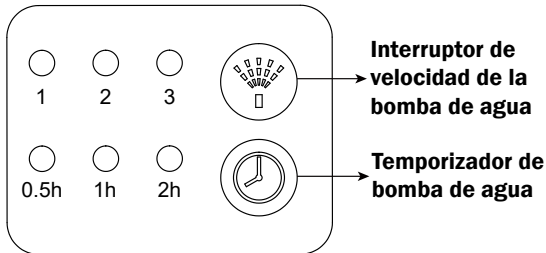
Interruptor de oscilación

Oscillate



- Cambie a la configuración “**1**” para permitir que la máquina oscile.
- Cambie a la configuración “**0**” para dejar que la máquina se quede quieta.

Panel de control de la bomba de agua (Para modelo FM-68W / FM-88W)



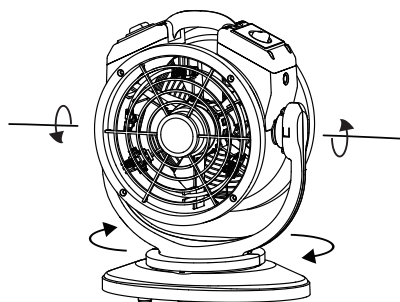
Interruptor de velocidad de la bomba de agua

- Pulse para cambiar la velocidad de la bomba de agua.
- La bomba de agua cuenta con 3 velocidades, siendo: **3, 2, 1**. “**1**” es la velocidad más baja y “**3**” es la velocidad más alta.

Temporizador de bomba de agua

- Presione para configurar el temporizador para una parada automática de la bomba de agua. El temporizador controla solo la bomba de agua.
- Hay tres temporizadores de: 0,5 h, 1 h, 2 h para el modelo FM-68W / 1 h, 2 h, 4 h para el modelo FM-88W.
- Sin embargo, si el temporizador no está configurado, la bomba de agua dejará de funcionar después de 4 horas para el modelo FM-68W / 6 horas para el modelo FM-88W.
- Cuando la bomba de agua deje de funcionar, presione el botón para encender la bomba de agua o configure el temporizador nuevamente.

Múltiples posiciones de operación

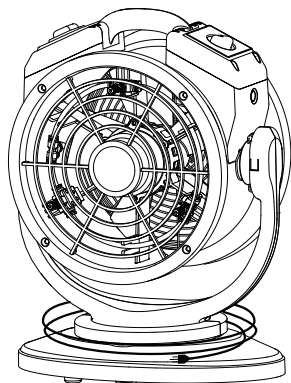


- El ventilador con nebulizador de perfil bajo puede operar en diferentes posiciones, dirigiendo el flujo de aire y niebla a las áreas deseadas.

Instrucciones de mantenimiento del usuario

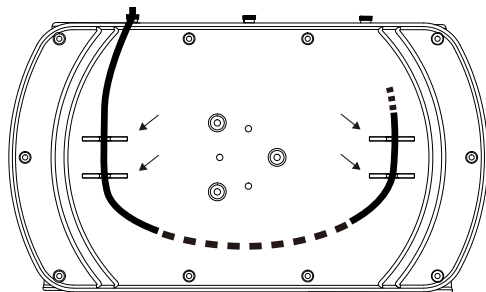
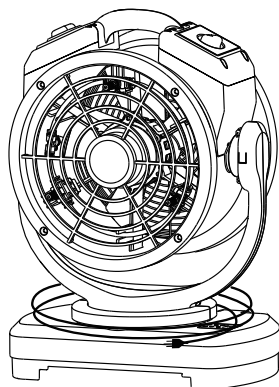
Se recomienda un mantenimiento frecuente en este aparato. El incumplimiento de las instrucciones de mantenimiento puede ocasionar una falla en el aparato e invalidar su garantía.

- Cuando no esté en uso, desenchufe y guarde el aparato en un lugar interior seco y fresco. Asegúrese de que esté fuera del alcance de los niños.
- Antes de realizar cualquier mantenimiento o limpieza, siempre desconecte el ventilador con nebulizador de su fuente de alimentación.
- Utilice un paño húmedo para limpiar la superficie de la carcasa. No limpie la unidad directamente con agua.
- Compruebe si las cubiertas de la rejilla están limpias. Retire la suciedad o cualquier otro objeto que pueda bloquear la entrada y salida de aire.



Para Modelo FM-68:

- Enrolle el cable de alimentación alrededor de la base de soporte después de su uso.



Para Modelo FM-68W/FM-88W:

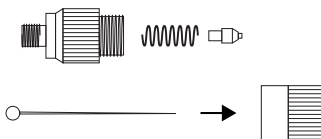
- Enrolle el cable de alimentación alrededor de la base de soporte después de su uso.
- Organice la manguera de bomba en la parte inferior de la base de soporte bastidor. Use un clip conveniente en la carcasa para asegurarlo en su lugar.

Mantenimiento del asamblea de atomización

Cuando no esté en uso, quite las boquillas de nebulización, guárdelas en un lugar seco y cerrado, fuera del alcance de los niños. Las boquillas deben secarse completamente antes de almacenarse.

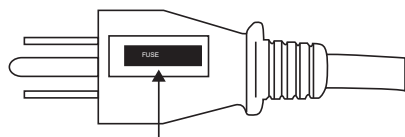


- Desmonte las boquillas (vea las imágenes de arriba) y desatornille el adaptador del grifo de agua.
- Remoje las piezas con agua jabonosa o detergente suave (o alcalino) durante varias horas. No use vinagre u otro detergente ácido.

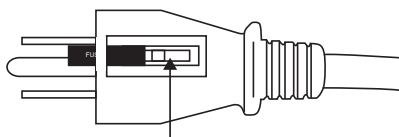


- Opcionalmente, use el limpiador de boquillas para limpiar el orificio de la boquilla de la superficie interna.
- Cuando haya terminado, seque completamente las superficies y vuelva a montar las piezas.

Reemplace el fusible



Cubierta del fusible



Fusible

- Sujete el enchufe y retírelo del receptáculo u otro dispositivo de salida. No desenchufe tirando del cable.
- Deslice y abra la cubierta del fusible en la parte superior del enchufe del accesorio hacia las cuchillas. Retire el fusible con cuidado.
- Riesgo de fuego. Reemplace el fusible solo con un fusible de 5A / 125V.
- Deslice para cerrar la tapa del fusible en la parte superior del conector.

Riesgo de fuego. No reemplace el enchufe del accesorio que contiene un dispositivo seguro (fusible) que no se debe quitar. Deseche el producto si el enchufe de conexión está dañado.

Guía para resolver problemas

PROBLEMA	POSIBLE CAUSA	SOLUCIÓN
El ventilador con nebulizador de perfil bajo no arranca	No hay electricidad.	Compruebe la fuente de alimentación.
El ventilador con nebulizador de perfil bajo no arranca	El cable de alimentación no está enchufado correctamente.	Remueva y reconecte el cable de alimentación.
	La máquina está trabajando bajo una temperatura extrema.	Apague la máquina y desenchúfela. Deje que la máquina se enfríe hasta la temperatura normal.
	Se activa la protección de falla a tierra en el GFCI.	Check and reset the GFCI on the plug.
	El interruptor de seguridad anti-recargando se activa.	Compruebe y reinicie el interruptor de seguridad anti-recargando.
La unidad funciona pero la velocidad es anormal	La entrada o salida de aire está bloqueada.	Remueva lo que la bloquea.
La función de nebulización es anormal	La manguera de agua / bomba está bloqueada.	Remueva lo que la bloquea.
	El asamblea de atomización está bloqueado.	Retire el bloqueo. (<i>Consulte la página 12: Mantenimiento del asamblea de atomización</i>)
	El interruptor de agua está apagado.	Compruebe el suministro de agua.

Si la solución de problemas propuesto no resuelve su problema, por favor póngase en contacto con XPOWER o otras entidades autorizadas por XPOWER para obtener instrucciones más detalladas al respecto.

Especificación técnica

Especificación de la máquina

NÚMERO DE MODELO	FM-68	FM-68W	FM-88W
Voltaje / Frecuencia	115 V~60 Hz		
Amperaje	0.55 A	0.65 A	1.0 A
Clasificación del flujo de aire	1000 CFM*		1700 CFM*
Control de velocidad	3 Velocidades		
Longitud del cable	10 pies / 3.0 m		
Dimensiones de la unidad (L) x (W) x (H)	14.8 x 8.3 x 19.0 pulgadas / 37.5 x 21.0 x 48.3 cm	14.8 x 8.5 x 20.1 pulgadas / 37.5 x 21.7 x 51.1 cm	17.1 x 9.6 x 23.5 pulgadas / 43.5 x 24.5 x 59.8 cm
Peso de la unidad	12.8 libras / 5.8 kg	13.6 libras / 6.15 kg	17.0 libras / 7.73 kg
Certificación de seguridad	ETL/C-ETL		

Especificación de atomización

	Boquilla de nebulización	Volumen máximo de niebla	Distancia máxima de tiro
FM-68	0.3 mm (Marcado 3010)	5.9 L / h	29.5 pies / 9.0 m
FM-68W	0.3 mm (Marcado 3010)	7.5 L / h	45.9 pies / 14.0 m
FM-88W	0.3 mm (Marcado 3010)	9.5 L / h	52.5 pies / 16.0 m

Garantía limitada de XPOWER (EE.UU.)

GARANTÍA LIMITADA DE 1 AÑO

Los productos de la marca XPOWER adquiridos en los Estados Unidos de distribuidores autorizados incluyen una garantía limitada de 1 año. Póngase en contacto con XPOWER para confirmar la información de su garantía sobre su(s) producto(s).

Esta garantía limitada cubre defectos en materiales y mano de obra en los productos de la marca XPOWER, comprados **ÚNICAMENTE EN LOS EE.UU.** La póliza de garantía local (si existiese) en su país cubrirá los productos adquiridos fuera de los Estados Unidos.

IMPORTANTE:

- (1) Por favor complete el registro de su garantía en línea antes de usar el aparato. Visite www.xpower.com/service-support/warranty-registration.
- (2) Esta Garantía Limitada se aplica a su tiempo apropiado. Póngase en contacto con XPOWER o visite www.xpower.com para obtener más información.

Los artículos mencionados pero no limitados a continuación no están cubiertos por la garantía:

- (1) Cable de alimentación, filtros o cualquier otro componente considerado como “partes consumibles” por XPOWER.
- (2) Uso y desgaste normal.
- (3) Problemas que resulten, directa o indirectamente, a discreción de XPOWER, relativos a:
 - (3.1) Causas externas como accidentes, abusos, mal uso o problemas con el suministro de energía eléctrica.
 - (3.2) Desmontaje, reparación o modificación no autorizada por XPOWER.
 - (3.3) Uso que no esté de acuerdo con las instrucciones del producto que se indican en el Manual de usuario.
 - (3.4) El incumplimiento de las instrucciones del producto o la falta de mantenimiento necesario señalado en el Manual de usuario.

Antes de ponerse en contacto con XPOWER, por favor trate una o más de las siguientes opciones:

- (1) Consulte este manual de usuario y siga las instrucciones de la guía de solución de problemas.
- (2) Acceda a www.xpower.com para obtener más consejos e información que podría ser útil para resolver sus problemas.

Si necesita ayuda adicional por parte de XPOWER, por favor:

- (1) Envíe un correo electrónico a info@xpower.com.
- (2) Llame al departamento de servicio al cliente de XPOWER EE.UU. al 855-855-8868 o otros números proporcionados en www.xpower.com.
- (3) Visite la oficina central de XPOWER EE.UU. en [668 S. 6th Ave., City of Industry, CA 91746](#) o la dirección más reciente proporcionada en www.xpower.com.

Por favor tenga a la mano su comprobante de compra original y los números de serie de su(s) producto(s) cuando se ponga en contacto con XPOWER.

Si se le indica que debe proceder con la devolución de la unidad para su reparación o reemplazo, por favor:

- (1) Solicite un número de autorización de devolución de mercancías o RMA (Return-Merchandise-Authorization).
- (2) Utilice el embalaje original o uno equivalente, pague por adelantado los gastos de envío por su propia cuenta a la dirección proporcionada por XPOWER, con el número RMA en la etiqueta de envío o en el embalaje.
- (3) Incluya todas las piezas y componentes originales.

XPOWER inspeccionará, evaluará y determinará las reparaciones necesarias y el costo aplicable, si lo hubiere. Para los productos bajo garantía, la compañía pagará por el envío del (los) producto(s) reparado(s) o reemplazado(s) a usted, en caso de que utilice una dirección dentro de los Estados Unidos. En caso contrario, se le enviará el (los) producto(s) bajo su propio costo.

Consignes de sécurité

ATTENTION - LISEZ ET CONSERVEZ CE MANUEL D'UTILISATION AVANT D'UTILISER CE PRODUIT

L'utilisateur du produit électrique peut créer des risques possibles, sans être limité aux blessures, une incendie, un choc électrique. Le non-respect de ces instructions peut endommager et / ou nuire à son fonctionnement et annuler la garantie.

- Avant d'utilisation, enlevez tous les matériaux d'emballage et vérifiez pour endommagements éventuels qui auraient pu survenir lors du transport ou en cas d'éléments manquants.
- Vérifiez le système électrique d'alimentation afin d'assurer qu'il respecte les spécifications de l'appareil.
- Ce ventilateur est un produit d'extérieur et n'est **PAS** conçu pour une utilisation en intérieur. **NE PAS** laissez pas le ventilateur sans surveillance lorsqu'il est branché.
- **NE PAS** opérer aucun ventilateur avec un fil ou prise endommagée. Jetez le ventilateur ou le retournez à un centre de service autorisé pour l'examen et / ou la réparation.
- Utilisez uniquement des prises protégées par interrupteur de circuit à la terre (GFCI). Veuillez communiquer avec un électricien qualifié pour la vérification et / ou l'installation d'une prise GFCI si nécessaire.
- **NE PAS** couvrir le fil avec la moquette. **NE PAS** couvrir le cordon avec des coulisseaux, des couvreurs ou des revêtements similaires. **NE PAS** Passer le câble sous les meubles ou les appareils. Éloigner le fil de la zone de circulation et où il ne sera pas trébuché.
- Afin de réduire le risque d'incendie ou d'électrocution, **NE PAS** Utilisez ce ventilateur avec n'importe quel dispositif de contrôle de vitesse à l'état solide.
- **NE PAS** touchez cet appareil ou la fiche avec les mains humides ou tout en restant dans l'eau.
- **NE PAS** faire fonctionner l'appareil dans n'importe quelle eau commune.
- **NE PAS** utiliser le produit dans des endroits où de l'essence, de la peinture ou d'autres biens et objets inflammables sont utilisés ou entreposés.
- **NE PAS** mettre des objets dans les entrées du produit pour éviter d'endommager l'appareil et annuler la garantie.
- **NE PAS** couvrir l'entrée d'air ou la sortie de l'appareil.
- **NE PAS** diriger le flux d'air sur les visages ou les corps humains.
- **NE PAS** permettre aux enfants de jouer cet appareil.
- **Ne PAS** déplacez pas et ne transportez pas cet appareil lorsqu'il est en marche.
- Placez toujours cet appareil sur une surface lisse et plane pour un fonctionnement en toute sécurité.
- **DISPOSITIF À FONCTIONNEMENT AUTOMATIQUE** - Pour réduire le risque de blessures, débranchez-vous de l'alimentation avant l'entretien.
- Retirer le cordon d'alimentation de la prise électrique en saisissant et en tirant sur le cordon d'alimentation enfichable extrémité seulement, **NE PAS** tirer le cordon directement.
- **NE PAS** tenter réparer ou de régler les fonctions électriques ou mécaniques de cet appareil, car cela pourrait causer un danger et annuler la garantie.
- Ce produit utilise une protection contre la surcharge (fusible). Un fusible grillé indique une situation de surcharge ou de court-circuit. Si le fusible fond, débranchez le produit de la prise. Remplacez le fusible conformément aux instructions d'entretien de l'utilisateur (suivez les indications du produit pour déterminer le calibre du fusible) et vérifiez le produit. Si le fusible de remplacement saute, un court-circuit peut survenir et le produit doit être jeté ou renvoyé à un centre de service agréé pour examen et / ou réparation.
- Si l'appareil est endommagé ou avec mauvais fonctionnement, **NE PAS** continuer à l'utiliser. Débrancher le produit de la prise électrique. Reportez-vous au guide de dépannage ou contacter

XPOWER.

- Entreposez le dans un endroit sec, à l'abri de l'exposition à la lumière du soleil, la température et l'humidité extrêmes ou d'autres environnements extrêmes, en cas de non-utilisation.
- Vous pouvez obtenir le manuel d'instruction électronique sur le site web www.menards.com.

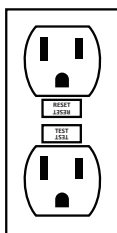
Instructions de mise à la terre

Cet appareil doit être relié à la terre. En cas de mauvais fonctionnement ou de panne, la mise à la terre fournit un chemin de moindre résistance au courant électrique pour réduire le risque de choc électrique. Cet appareil est équipé d'un cordon muni d'un conducteur de terre et une fiche de terre. La fiche doit être branchée dans une prise appropriée qui est correctement installée et mise à la terre conformément à tous les codes et règlements locaux.

Un électricien qualifié doit être consulté s'il existe un doute quant à savoir si une boîte de sortie est correctement relié à la terre.

DANGER: Un mauvais raccordement du conducteur de la terre peut entraîner un risque d'électrocution. Le conducteur avec la surface d'isolation extérieure verte avec ou sans rayures jaunes est le conducteur de terre. Lorsque la réparation ou le remplacement du cordon ou de la fiche sont nécessaires, ne connectez pas le fil de terre à une broche à lame plate. Vérifier avec un électricien qualifié ou un réparateur qualifié si les instructions de mise à la terre ne sont pas complètement comprises, ou en cas de doute quant à savoir si l'appareil est correctement relié à la terre. Ne modifiez pas la fiche fournie avec l'appareil – si elle ne correspond pas à la prise, faites appel à un électricien pour l'installation d'une prise adéquate.

Cet appareil est conçu pour utiliser sur un circuit de 115 v nominal (NEMA 5-15R) et possède une fiche de mise à la terre (NEMA 5-15P) tel illustré ci-dessous. Assurez-vous que l'appareil est raccordé à une prise ayant la même configuration que la prise. Aucun adaptateur ne doit être utilisé avec cet appareil.



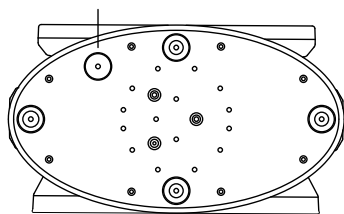
NEMA 5-15R



NEMA 5-15P

Instructions spéciales de l'interrupteur de sécurité anti-tombant

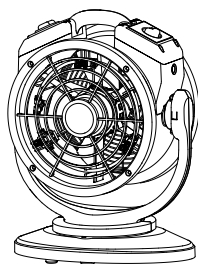
Interrupteur de sécurité anti-tombant



Couverture de base inférieure

- L'interrupteur de sécurité anti-tombant est conçu pour empêcher la machine de fonctionner lorsque la machine bascule d'une surface plane.
- La machine travaillant en permanence dans une position renversée peut entraîner des problèmes de sécurité ou endommager la machine.
- **AVERTISSEMENT: NE** laissez pas l'interrupteur de sécurité anti-tombant activé manuellement, par exemple avec du ruban adhésif. Gardez toujours l'interrupteur sans fonction.

Éléments inclus



• Brumiventilateur x 1



• Brumisateur de recharge x 1

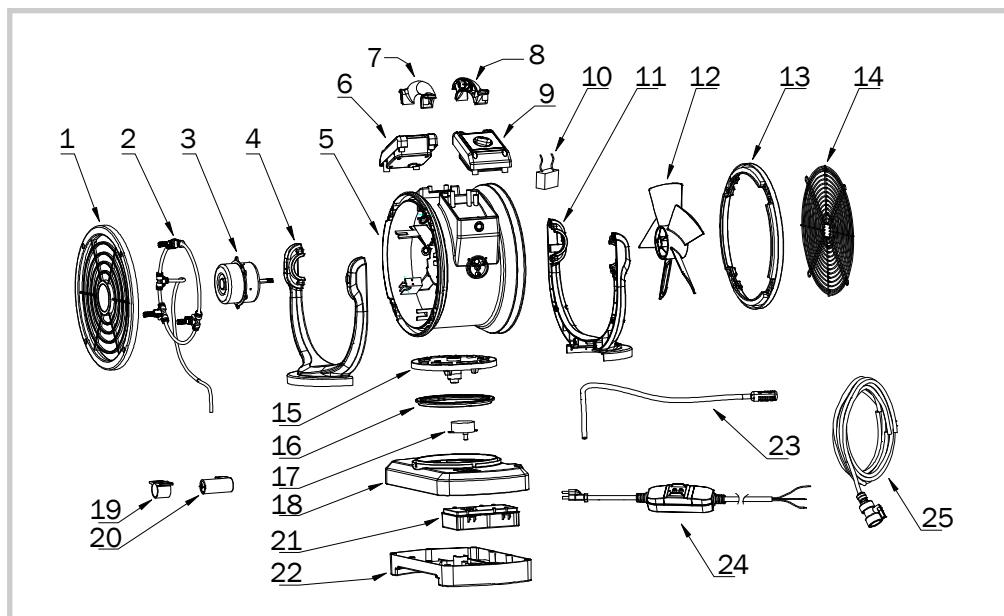


• Nettoyeur de Brumisateur x 1



• Manuel d'emploi x 1

Description des pièces



- | | | |
|---|---------------------------------|---|
| (1) Couverture de grille avant | de commutation de vitesse | supérieure |
| (2) Assemblée atomisation | (10) Condensateur | (19) Tampon antichoc pour pompe à eau* |
| (3) Moteur | (11) Support arrière | (20) Pompe à eau* |
| (4) Support avant | (12) Ventilateur | (21) Ensemble de carte de circuit imprimé de pompe à eau* |
| (5) Boîtier | (13) Couverture arrière | (22) Couverture de base inférieure |
| (6) Assemblé de panneau de commutation de oscillation | (14) Couverture de grille avant | (23) Tuyau de pompe* |
| (7) Poignée avant | (15) Base de support | (24) Cordon d'alimentation |
| (8) Poignée arrière | (16) Rondelle en plastique | (25) Tuyau d'eau** |
| (9) Assemblé de panneau | (17) Moteur de oscillation | |
| | (18) Couverture de base | |

* Pour le modèle FM-68W et FM-88W uniquement.

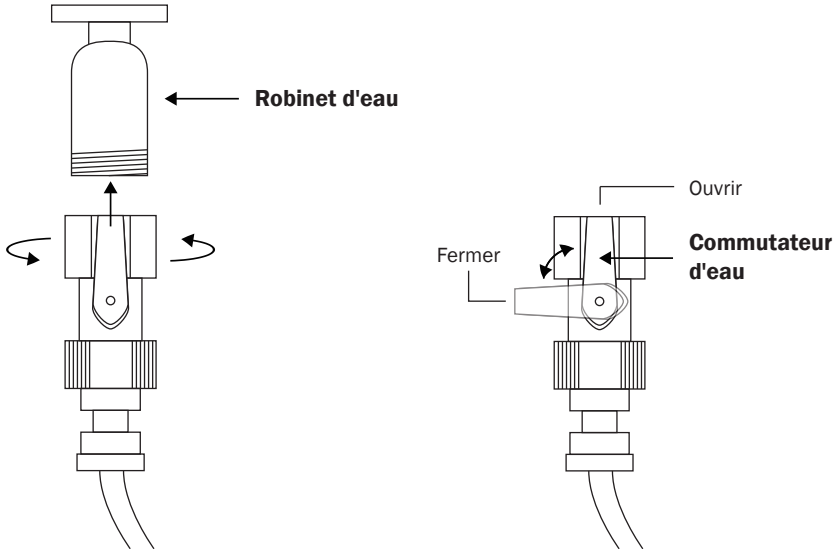
** Pour le modèle FM-68 uniquement.

Guide d'installation et d'utilisation

Connexion à la source d'eau

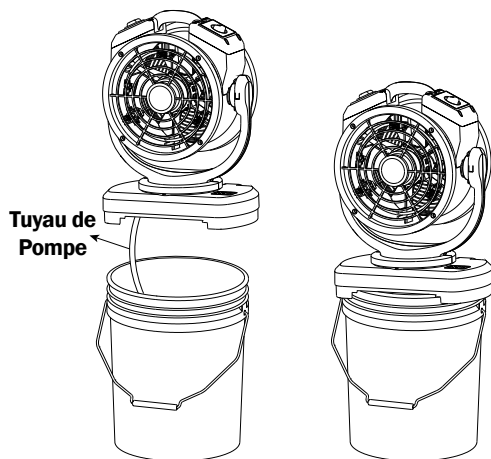
Pour le modèle FM-68:

- Visser l'adaptateur de robinet d'eau sur le robinet d'eau.
- Tournez le commutateur d'eau sur la position souhaitée pour ouvrir ou fermer le clapet.
- Ouvrez le robinet d'eau pour avoir de l'eau.



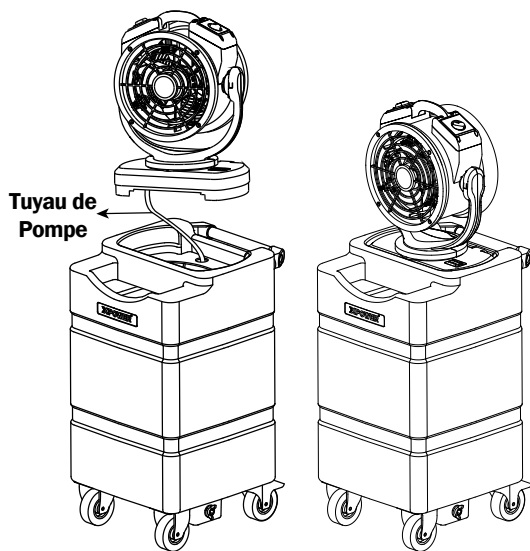
Pour le modèle FM-68W et FM-88W:

- Le ventilateur de brumisation doit se connecter à un récipient avec de l'eau comme source d'eau.
- Vous pouvez choisir votre propre conteneur ou utiliser le réservoir d'eau XPOWER pour une connexion rapide et pratique.



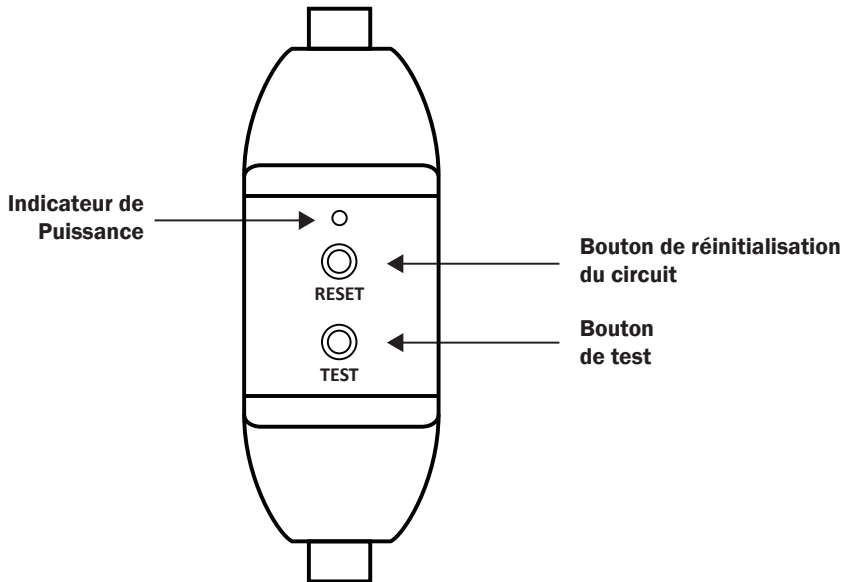
Se connecter à un compartiment

- Mettez l'extrémité du tuyau de pompe dans un seau.
- Placez l'unité sur le seau.
- Le godet doit avoir un diamètre supérieur inférieur à 11,8 pouces.



Se connecter à la série WT

- Faites passer l'extrémité du tuyau de pompe à travers un petit trou dans la série WT.
- Insérez le dans la fente de la série WT.



- Le cordon d'alimentation du brumiventilateur est protégé par un GFCI.
- Si le brumiventilateur cesse de fonctionner, appuyez sur le bouton de réinitialisation pour réinitialiser le circuit.

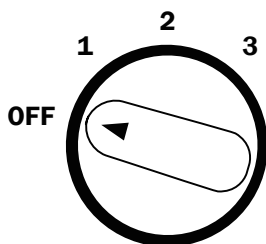
Pour cordon d'alimentation protégé par GFCI (Interrupteur de circuit de défaut à la terre):

- Lorsqu'un défaut à la terre se produit, le GFCI interrompt immédiatement la connexion électrique à l'appareil. Consultez le Guide de dépannage.
- Un défaut à la terre est un contact accidentel entre un conducteur sous tension (par exemple, un être humain) et une mise à la terre ou un châssis d'équipement.

AVERTISSEMENT: Risque d'électrocution. Vous devez tester le GFCI avant chaque utilisation.

- Appuyez sur le bouton de test, puis sur le bouton de réinitialisation du GFCI. Le bouton de test doit être réinitialisé en position non pressée.
- Ne pas utiliser si le test échoue.

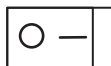
Commutateur de vitesse du ventilateur



- Tournez vers la position « **OFF** » pour mettre le ventilateur extra plat hors tension. Tournez vers une position quelconque de vitesse pour commuter le brumiventilateur sur marche.
- Tournez dans le sens horaire pour régler la vitesse de ventilateur souhaitée. Il y a 3 vitesses de ventilateur à partir de: **1**, **2**, **3**. « **1** » est la plus faible vitesse et « **3** » est la plus grande vitesse.

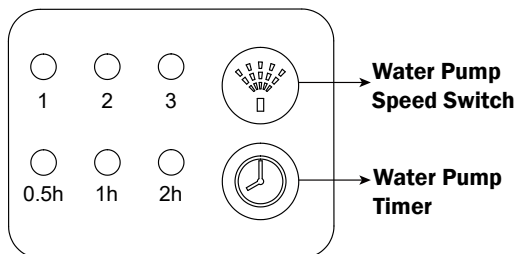
Commutateur d'oscillation

Oscillate



- Passez au réglage « **I** » pour laisser la machine osciller.
- Passez au réglage « **O** » pour laisser la machine immobile.

Panneau de commande de la pompe à eau (Pour le modèle FM-68W/FM-88W)



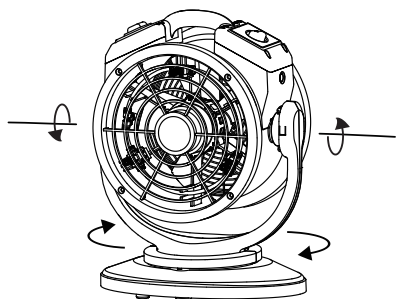
Commutateur de vitesse du pompe à eau

- Appuyez sur pour changer la vitesse de la pompe à eau.
- Il y a 3 vitesses de pompe à eau à partir de: **1**, **2**, **3**. « **1** » est la plus faible vitesse et « **3** » est la plus grande vitesse.

Minuterie de pompe à eau

- Appuyez sur pour régler la minuterie pour un arrêt automatique de la pompe à eau. La minuterie contrôle uniquement la pompe à eau.
- Il y a trois minuterie parmi : **0,5 h**, **1 h**, **2 h** pour le modèle FM-68W / **1 h**, **2 h**, **4 h** pour le modèle FM-88W.
- Cependant, si la minuterie n'est pas réglée, la pompe à eau s'arrêtera de fonctionner après 4 heures pour le modèle FM-68W / 6 heures pour le modèle FM-88W.
- Lorsque la pompe à eau cesse de fonctionner, appuyez sur le bouton pour allumer la pompe à eau ou réglez à nouveau la minuterie.

Positions multiple d'exploitation



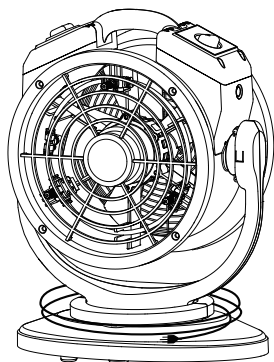
- Le brumiventilateur peut fonctionner dans des positions différentes, de diriger le flux d'air et brouillard vers les zones souhaitées.

Instructions d'entretien de l'utilisateur

La maintenance fréquente est recommandé sur cet appareil. Le non-respect des instructions d'entretien peut entraîner une défaillance de l'appareil et annuler la garantie.

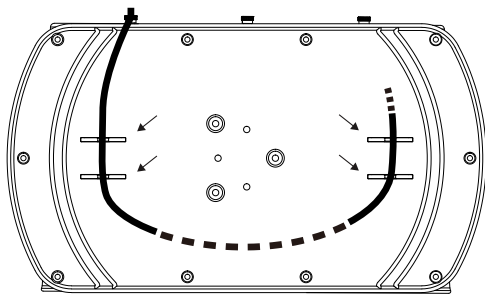
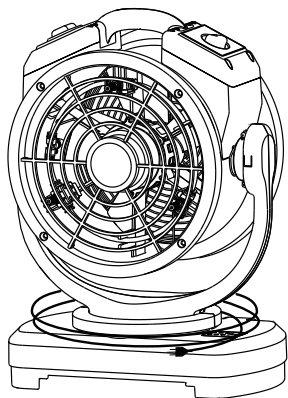
- En cas de non-utilisation, débranchez et rangez l'appareil dans un endroit sec à l'intérieur et le laissez refroidir. Assurez-vous qu'il est hors de portée des enfants.
- Avant d'effectuer toute maintenance ou tout nettoyage, il faut toujours débrancher le brumiventilateur à partir de sa source d'alimentation.
- Essayez la surface du boîtier avec un chiffon humide. Ne pas nettoyer l'appareil avec de l'eau directement.
- Vérifiez si les couvertures de la grille sont propres. Enlevez la saleté ou d'autres objets qui pourraient bloquer l'entrée d'air et de sortie d'air.

Organisation du cordon et du tuyau d'eau



Pour le modèle FM-68:

- Enrouler d'abord le tuyau d'eau puis le cordon d'alimentation autour de la base de support pour le stockage après utilisation.

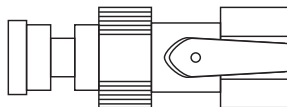


Pour le modèle FM-68W et FM-88W:

- Enroulez le cordon d'alimentation autour de la base de support après utilisation.
- Organisez le tuyau de pompage sur le bas de la base de support. Utilisez un clip pratique sur le boîtier pour le fixer en place.

Maintenance de l'ensemble d'atomisation

Lorsque vous ne l'utilisez pas, dévissez les brumiseurs et rangez-les dans un endroit intérieur sec et hors de portée des enfants. Les brumiseurs doivent être complètement séchées avant d'être stockées.



- Démontez les brumiseurs (voir illustrations ci-dessus) et dévissez l'adaptateur du robinet d'eau.
- Faites tremper les pièces dans de l'eau savonneuse ou un détergent doux (ou alcalin) pendant plusieurs heures. N'utilisez pas de vinaigre ou un autre détergent acide.



- En option, utilisez le nettoyeur de brumisateur pour nettoyer le trou de buse de la surface intérieure.
- Une fois terminé, séchez complètement les surfaces et réassemblez les pièces.

Remplacer le fusible



Couvercle de fusible



Fusible

- Saisissez la fiche et retirez-la de la prise ou de l'autre prise. Ne débranchez pas en tirant sur le cordon.
- Faites glisser le couvercle du fusible sur le dessus de la fiche de fixation vers les lames.
- Retirez le fusible avec précaution.
- Risque d'incendie. Remplacez le fusible uniquement par un fusible de 5A / 125V.
- Faites glisser le couvercle du fusible sur le dessus de la fiche de fixation.

Risque d'incendie. Ne remplacez pas la fiche de connexion contenant un dispositif sûr (fusible) qui ne doit pas être retiré. Jeter le produit si la fiche de fixation est endommagée.

Guide de dépannage

PROBLÈME	CAUSE POSSIBLE	SOLUTION
Le brumiventilateur ne démarre pas	Aucune électricité.	Vérifiez l'alimentation.
	Le cordon d'alimentation est mal branché.	Débranchez et rebranchez le cordon d'alimentation.
	La machine fonctionne sous une température extrême.	Eteignez la machine et la débranchez. Laissez refroidir la machine à une température normale.
	La protection contre les défauts à la terre sur le GFCI est déclenchée.	Vérifiez et réinitialisez le GFCI sur la prise.
	L'interrupteur de sécurité anti-tombant se déclenche.	Vérifiez et réinitialisez l'interrupteur de sécurité anti-tombant.
L'appareil fonctionne mais la vitesse est anormale	L'entrée d'air ou la sortie d'air est bloquée.	Supprimer le blocage.

PROBLÈME	CAUSE POSSIBLE	SOLUTION
La fonction de brumisation est anormale	Le tuyau d'eau est bloqué.	Supprimer le blocage.
	L'ensemble de pulvérisation est bloqué.	Supprimer le blocage. (Voir Page 11 : Maintenance de l'ensemble d'atomisation)
	L'interrupteur d'eau est éteint.	Vérifiez l'approvisionnement en eau.

Si le guide de ne résout pas votre problème, veuillez contacter XPOWER ou d'autres parties autorisées par XPOWER pour obtenir des instructions supplémentaires.

Spécifications techniques

Spécification de la machine

NUMÉRO DE MODÈLE	FM-68	FM-68W	FM-88W
Tension / Fréquence	115 V~60 Hz		
Ampérage	0.55 A	0.65 A	1.0 A
Débit d'air nominal	1000 CFM		1700 CFM
Contrôle de vitesse	3 Speeds		
Longueur du cordon	10 pieds / 3.0 m		
Dimension unitaire (L) x (W) x (H)	14,8 x 8,3 x 19,0 in. / 37,5 x 21.0 x 48,3 cm	14,8 x 8,5 x 20,1 in. / 37,5 x 21,7 x 51,1 cm	17,1 x 9,6 x 23,5 in. / 43,5 x 24,5 x 59,8 cm
Poids de l'unité	12,8 lbs. / 5.8 kg	13,6 lbs. / 6,15 kg	17,0 lbs. / 7,73 kg
Certification de sécurité	ETL/C-ETL		

Spécification d'atomisation

	Brumisateur	Volume de brume maximum	Distance de projection maximale
FM-68	0.3 mm (Marqué 3010)	5,9 L / h	29,5 pieds / 9,0 m
FM-68W	0.3 mm (Marqué 3010)	7,5 L / h	45,9 pieds / 14,0 m
FM-88W	0.3 mm (Marqué 3010)	9,5 L / h	52,5 pieds / 16,0 m

XPOWER Garantie limitée (Etats-Unis)

GARANTIE LIMITÉE DE 1 AN

Produits de marque XPOWER-achetés aux États-Unis auprès des distributeurs autorisés une garantie limitée de 1 an. Contactez XPOWER pour confirmer les informations de garantie sur votre produit.

Cette garantie limitée couvre les défauts de matériaux et de fabrication dans vos produits de marque XPOWER, achetés **UNIQUEMENT AUX ETATS-UNIS**. La politique de garantie locale (le cas échéant) dans votre pays couvrira les produits achetés à l'extérieur aux États-Unis.

⚠ IMPORTANT:

- (1) Veuillez terminer l'enregistrement de la garantie en ligne avant l'utilisation. Visitez www.xpower.com/service-support/warranty-registration.
- (2) Cette garantie limitée s'applique à son propre respect des délais. Contactez XPOWER ou visitez www.xpower.com pour plus d'informations.

Les éléments mentionnés, mais sans s'y limiter ci-dessous ne sont pas couverts par la garantie:

- (1) Cordon d'alimentation, filtres ou tout autre composant considéré comme « pièces consommables » par XPOWER.
- (2) Usure normale.
- (3) Les problèmes qui en résultent, directement ou indirectement, à la seule discrétion de xpower, de:
 - (3.1) Causes externes, comme un accident, un usage abusif ou des problèmes avec l'alimentation électrique.
 - (3.2) Le démontage, l'entretien ou la modification non autorisée par XPOWER.
 - (3.3) L'utilisation non conforme aux instructions du produit indiquées dans le manuel d'emploi.
 - (3.4) L'échec de suivre les instructions du produit ou de l'absence d'entretien nécessaire indiqué dans le manuel d'emploi.

Avant de contacter XPOWER, veuillez essayer une ou plusieurs des éléments suivants:

- (1) Consultez le manuel d'emploi et suivez les instructions du guide de dépannage.
- (2) Accédez www.xpower.com pour plus de conseils et d'informations qui pourraient être utiles pour répondre à vos problèmes.

Si vous avez besoin d'aide supplémentaire de XPOWER, veuillez:

- (1) Email info@xpower.com.
- (2) Appeler Département de service à la clientèle de XPOWER aux États-Unis au 855-855-8868 ou d'autres chiffres fournis sur www.xpower.com.
- (3) Visitez Siège social de XPOWER États-Unis au [668 S. 6th Ave., City of Industry, CA 91746](https://www.xpower.com) ou l'adresse la plus récente fournie sur www.xpower.com.

Veillez avoir également votre preuve d'achat originale et le numéro de série de votre produit lorsque vous contactez XPOWER.

Si vous êtes averti à retourner l'unité pour le service ou le remplacement, veuillez:

- (1) Demandez un numéro d'autorisation de retour de marchandise ou RMA (Return-Merchandise-Authorization).
- (2) Utilisez l'original ou un emballage équivalent, payez en l'avance les frais d'expédition à vos propres frais à l'adresse fournie par XPOWER, avec le RMA numéro sur l'étiquette d'expédition ou l'emballage.
- (3) Y compris toutes les pièces et composants d'origine.

XPOWER inspectera, évaluera et conseillera les réparations nécessaires et les coûts applicables, le cas échéant. Pour les produits sous garantie, nous paierons pour vous expédier le produit réparé ou remplacé (s) si vous utilisez une adresse dans les États-Unis. Sinon, nous vous expédierons le produit (s) à vos frais.



XPOWER Manufacture, INC.

668 S. 6th Ave.,

City of Industry, CA 91746 USA

www.xpower.com | 1-(855)-855-8868 | info@xpower.com

Read and save these instructions before use

Lea y guarde estas instrucciones

Lisez et gadez ces instructions

Index: NA-1-A36
Edition: 3.0.Final